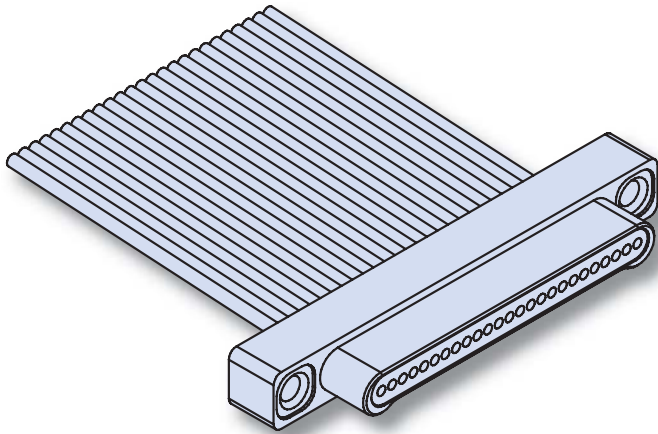




Series 89 Nanominiature Connectors Single Row Pigtail Assemblies, Insulated Wire 890-001 and -002



Glenair's Pigtail Nano Connectors feature gold alloy NanoPin contacts. Contacts are precision-crimped to insulated, stranded wire. These nanominiature connectors offer premium performance and reliability for demanding applications. Contact spacing is .025 inches. 1 amp current rating, DWV rating 300 volts AC. Wire gages #30 and #32 AWG.

NanoPin Contact System assures premium performance in demanding environments. The gold/platinum alloy contacts will stand up to years of exposure without corrosion.

Typical Applications include UAV's, satellites, missile systems and geophysical instruments.

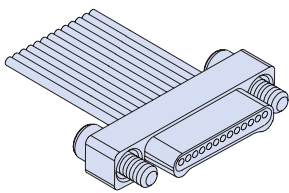
HOW TO ORDER NANOMINIATURE CONNECTORS WITH INSULATED WIRE

Series	Insert Arrangement/ Contact Type	Shell Material and Finish	Wire Gage	Wire Type	Wire Color Code	Wire Length Inches	Hardware
890-001 Plug, Pin Contacts, Single Row, Nanominiature	Plugs (890-001)	A1 Aluminum Shell, Cadmium Plating	0 #30 AWG	A Ultralightweight XLETFE Insulation, Silver-Coated Ultrahigh-Strength Copper (Not available for #32 AWG)	1 –White 2 –Yellow 7 –Ten Color Repeat	18 Wire Length In Inches. "18" Specifies 18 Inches.	J Jackscrew, #0-80 T Threaded Inserts, #0-80 Female
	9P						
	15P						
	21P						
	25P						
890-002 Receptacle, Socket Contacts, Single Row, Nanominiature	Receptacles (890-002)	A2 Aluminum Shell, Electroless Nickel Plating	2 #32 AWG	B Extruded PTFE Insulation, NEMA HP3-ETX (MIL-W-16878/6)			
	31P						
	37P						
	51P						
	9S	T Titanium Shell, Unplated	C Cross-Linked Modified ETFE Insulation, MIL-W-22759/33 (Not available for #32 AWG)				
	15S						
	21S	S Stainless Steel Shell, Passivated					
	25S						
31S							
37S							
51S							

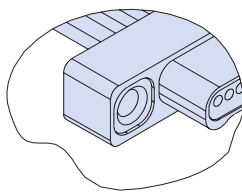
Sample Part Number

890-002	- 9S	A1	- 0	A	1	- 12	J
----------------	-------------	-----------	------------	----------	----------	-------------	----------

PLUG (PIN) CONNECTOR

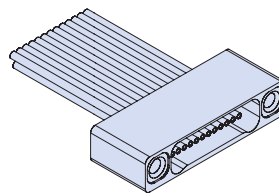


"J" Jackscrew Option

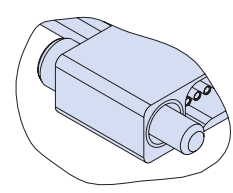


"T" Threaded Insert Option

RECEPTACLE (SOCKET) CONNECTOR



"T" Threaded Insert Option



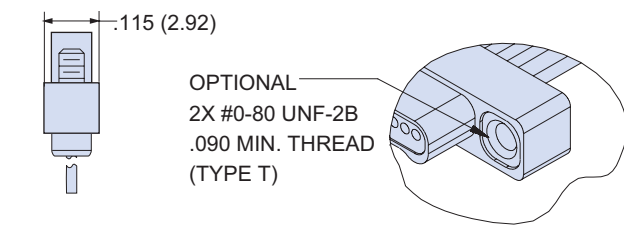
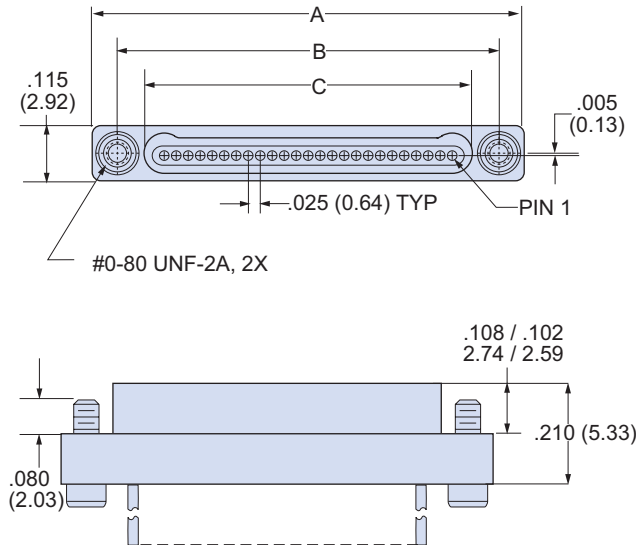
"J" Jackscrew Option

Series 89 Nanominiature Connectors Single Row Pigtail Assemblies, Insulated Wire 890-001 and -002

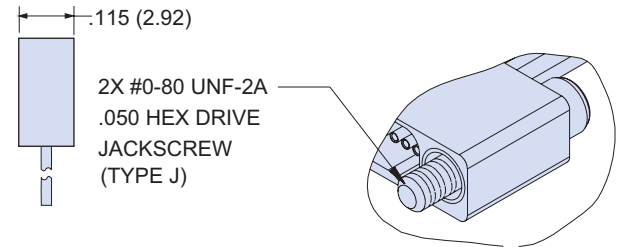
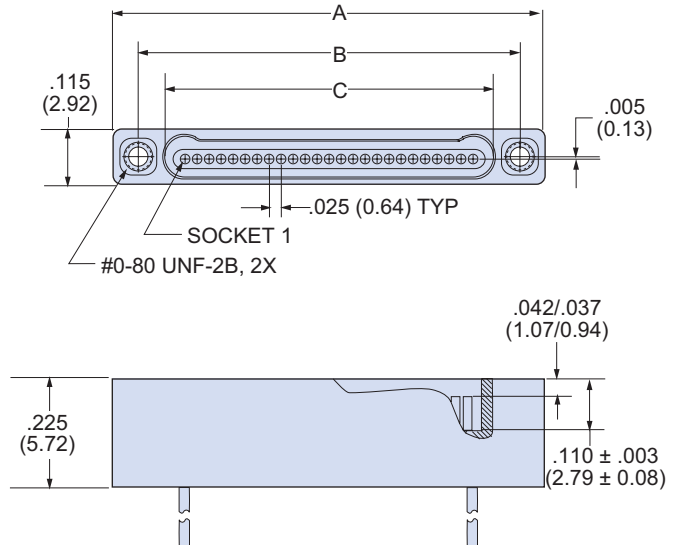


SINGLE ROW NANO PIGTAIL DIMENSIONS

Plug (Pin) Connectors



Receptacle (Socket) Connectors



Layout	A Dimension		B Basic Dimension		C Basic Dimension	
	In.	mm.	In.	mm.	In.	mm.
9P	.500	12.70	.395	10.03	.284	7.21
9S	.500	12.70	.395	10.03	.285	7.24
15P	.650	16.51	.545	13.84	.434	11.02
15S	.650	16.51	.545	13.84	.435	11.05
21P	.800	20.32	.695	17.65	.584	14.83
21S	.800	20.32	.695	17.65	.585	14.86
25P	.900	22.86	.795	20.19	.684	17.37
25S	.900	22.86	.795	20.19	.685	17.40
31P	1.050	26.67	.945	24.00	.834	21.18
31S	1.050	26.67	.945	24.00	.835	21.21
37P	1.200	30.48	1.095	27.81	.984	24.99
37S	1.200	30.48	1.095	27.81	.985	24.02
51P	1.550	39.37	1.445	36.70	1.334	33.88
51S	1.550	39.37	1.445	36.70	1.335	33.91